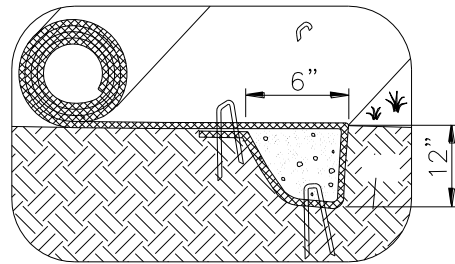


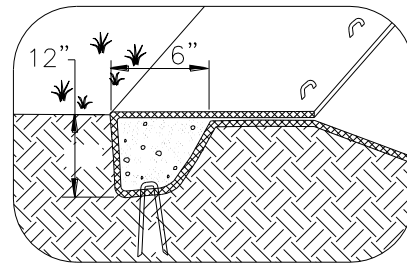
NOTES:

1. Slope surface shall be free of rocks, clods, sticks and grass. Mats/blankets shall have good soil contact.
2. Lay blankets loosely and stake or staple to maintain direct contact with the soil. Do not stretch.
3. Install per manufacturer's recommendations

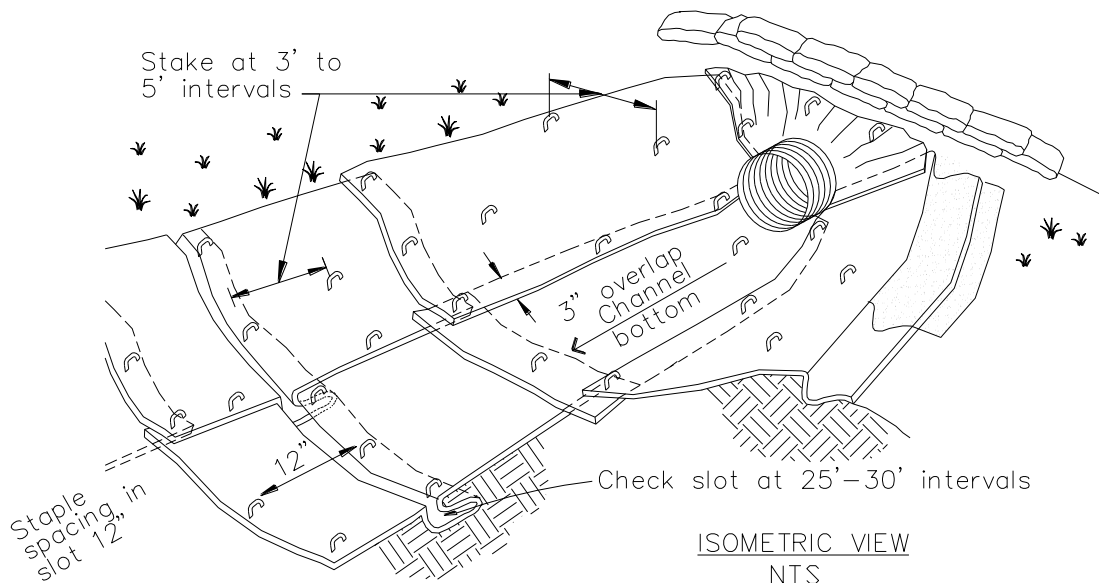
TYPICAL INSTALLATION DETAIL



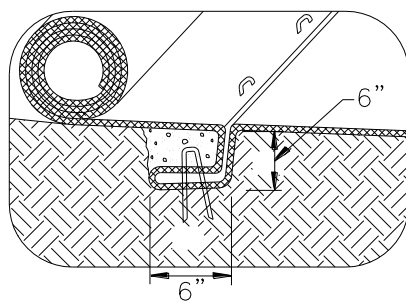
INITIAL CHANNEL ANCHOR TRENCH  
NTS



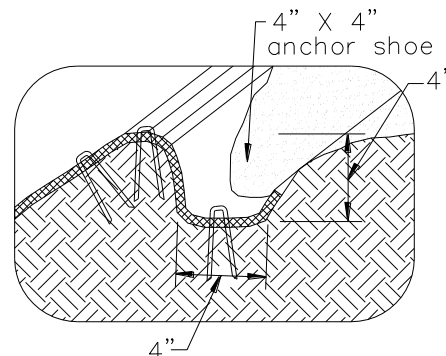
TERMINAL SLOPE AND CHANNEL ANCHOR TRENCH  
NTS



ISOMETRIC VIEW  
NTS



INTERMITTENT CHECK SLOT  
NTS



LONGITUDINAL ANCHOR TRENCH  
NTS

**NOTES:**

1. Check slots to be constructed per manufacturers specifications.
2. Staking or stapling layout per manufacturers specifications.
3. Install per manufacturer's recommendations

TYPICAL INSTALLATION DETAIL